



901 K Street Washington, DC Smith Group United Curtainwall



WAUSAU

WINDOW AND WALL
SYSTEMS



CURTAINWALL AND WINDOW WALL

**WAUSAU'S CURTAINWALL, WINDOW WALL,
AND ALUMINUM SUN CONTROL SYSTEMS
TOWER ABOVE CITIES ALL ACROSS AMERICA
FOR ONE VERY SIMPLE REASON...**

**THEY HAVE SET STANDARDS FOR
PERFORMANCE, QUALITY AND EASE OF
INSTALLATION FOR MORE THAN 55 YEARS.**

**WAUSAU DESIGNERS, ENGINEERS AND
TECHNICIANS ENSURE SYSTEM PERFORMANCE,
WHETHER YOU MEASURE IT BY AESTHETICS,
DURABILITY, INSTALLATION OR BUILDING
COMFORT. WAUSAU SUPPORTS YOUR
SUSTAINABLE DESIGN GOALS AND OFFERS
AN INDUSTRY-LEADING WARRANTY
OF UP TO 10 YEARS.**

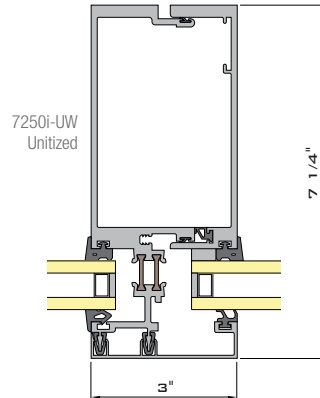
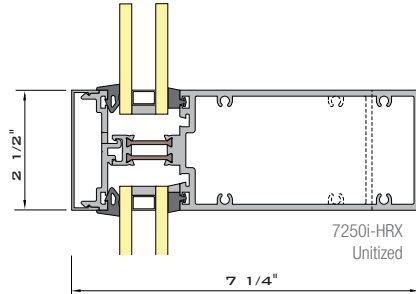
**WWW.WAUSAUWINDOW.COM
1.877.678.2983**

INVISION UNITIZED WALLS

FACTORY-ASSEMBLED* AND *GLAZED FOR EASE OF INSTALLATION

HIGH PERFORMANCE POLYAMIDE THERMAL BARRIER

- 2 1/2" or 3" face width - 5 1/4" to 8 1/4" frame depth with polyamide thermal barrier
- Interlocking frame design accommodates seismic, live load, and thermal building movements
- Pressure-equalized rain screen design
- Captured, vertical or four-side structural glazed
- Glazing and sealing in a controlled factory environment
- Zero sightline vents, exterior sun shades, and interior light shelves available



Jack-bolt anchors allow for full three-way adjustment "off the rig," optimizing hoisting and handling time. Edge-of-slab and top-of-slab anchor base options are available.

Allowable Air	Water	NFRC U-Factor	CRF _f	STC
0.06 cfm/sqft at 6.24 psf	15 psf	0.29 to 0.63 BTU/hr.sqft.°F	73 to 77	31 to 34

Test results may vary

THERMALLY-IMPROVED 4750-RX, 6250-RX, AND 7250-UW UNITIZED WALLS ALSO AVAILABLE.

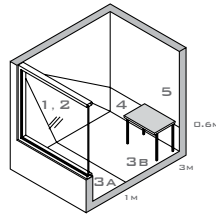
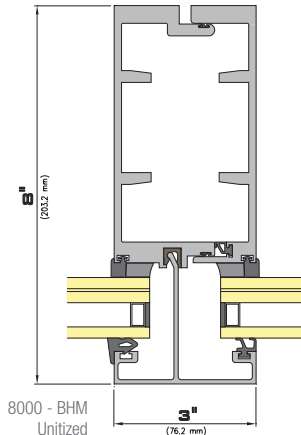
UNITIZED CURTAINWALL AND SUN CONTROL

LAPD Administration Building Los Angeles, California AECOM Unitized Curtainwall



INVISION 8000/8000i-BHM
BLAST HAZARD MITIGATING UNITIZED WALL
WAUSAU ENGINEERING EXPERTISE

- Blast performance up to 33 psi peak pressure, 81 psi-msec impulse
- Interlocking frame design accommodates seismic, live load and thermal building movements
- Thermally improved - polyamide thermal barrier optional
- Structural silicone glazing and sealing in a controlled factory environment
- Accepts up to 3/4" total vertical movement
- Exterior sun shades and interior light shelves



GSA-ISC

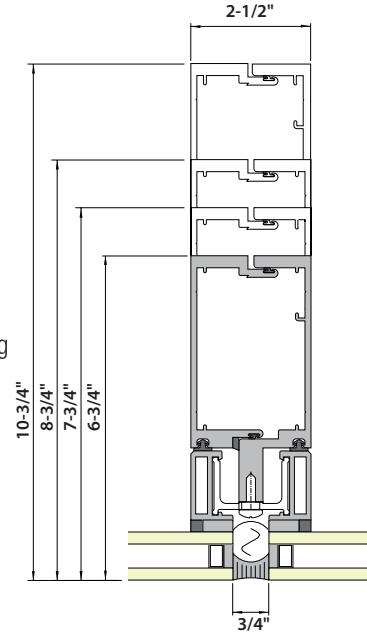
General Services Administration Inter-Agency Security Committee
 "Security Design Criteria for New Federal Office Buildings or Major Modernizations"

Performance Condition	Protection Level	Hazard Level	Description of Window Glazing Response
1	Safe	None	No glazing breakage or visible damage.
2	Very High	None	Glazing cracks. Dusting of fragments.
3a	High	Very Low	Glazing cracks. Fragments on floor within 1m of window.
3b	High	Low	Glazing cracks. Fragments on floor within 3m of window.
4	Medium	Medium	Glazing cracks. Fragments impact lower 0.6m of wall.
5	Low	High	System fails catastrophically.

IMPORTANT NOTE: Determination of peak pressure, impulse, and Performance Condition (to include Hazard Condition and Protection Level) is the responsibility of the Owner's security/blast consultant; not the window/curtainwall manufacturer or installer. Design parameters typically range from 4 psi peak and 28 psi-msec impulse, to 10 psi peak and 89 psi-msec impulse.

SUPERWALL™-SSG FOUR-SIDE SILICONE
DRAMATIC ALL-GLASS ACCENTS . IDEAL FOR ATRIA
FACTORY-GLAZED CARRIER FRAMES

- 6-3/4", 7-3/4", 8-3/4", or 10-3/4" frame depth (with 1" glass)
- Narrow 2-1/2" mullions maximize daylight opening
- Carrier frames glazed in a factory-controlled environment
- Accepts standard, structural silicone insulating glass units - Economical and fast replacements available
- Interlocking mullions accept reinforcing for free-span atrium applications
- Matching 2-1/2" inside and outside 90 degree corner mullions
- Field face-sealed
- "F" and "T" perimeter anchors
- Exterior accent trim available



Allowable Air	Water	NFRC U-Factor	CRF _{frame}	STC
0.06 cfm/sqft at 6.24 psf	15 psf	0.37 to 0.55 BTU/hr.sqft.°F (est.)	70 to 74 (est.)	31 to 34 OITC 26 (est.)

Test results may vary

www.wausauwindow.com . Download details, specifications, and product performance information

EXTERIOR SUN SHADES

- Control solar heat gain and harvest natural daylight to meet sustainable design goals
- Increase Projection Factor (PF) and decrease solar cut-off angles
- A variety of pre-engineered configurations - extruded blades, perforated sheet, "catwalk" grids or solid shading
- Modular design and integral alignment features for ease of installation
- Thermally-improved mullion attachments
- Laser- or water-jet, precision-cut, factory-attached end caps
- Vertical sun shades available for east and west facades

CLEAR STORY™
 SUN SHADES AND LIGHT SHELVES



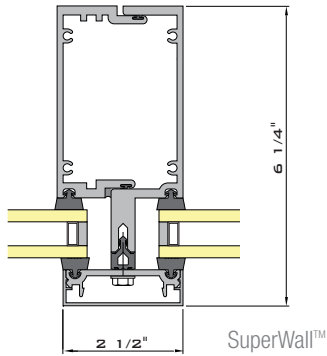
INTERIOR LIGHT SHELVES

- Redirect south daylight off ceiling surfaces so light penetrates farther
- Control glare at high solar altitudes
- Diffuse, reflective, upper surfaces maximize light - lower surfaces match decor
- A variety of pre-engineered configurations - flush, articulated, aerofoil, and contoured
- Light shelves can work in combination with sun shades for maximum daylight harvest
- Shelf depth up to 30", to match transom height
- Optional easy-to-clean removable infill panels
- Not intended as a shelf or step

PRE-ENGINEERED STANDARD PRODUCTS FOR
COMPETITIVE PRICING AND QUICK DELIVERY

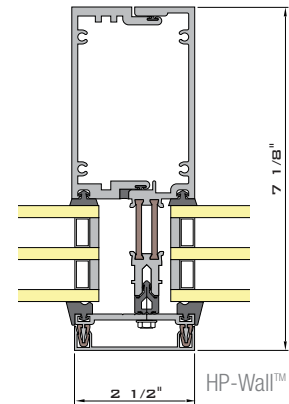
WAUSAU SUPERWALL™

SETTING THE STANDARD FOR OVER 30 YEARS
FACTORY-ASSEMBLED . 3/8" THERMAL BARRIER
OPTIONAL FIBERGLASS XLT PRESSURE PLATE



HP-WALL

MULTI-LEVEL THERMAL BARRIER FOR R5 PERFORMANCE
ACCEPTS TRIPLE INSULATING GLASS
FAMILIAR PRESSURE WALL INSTALLATION PROCESS



- 2 1/2" exterior sightline - Accent covers available
- Captured or vertical structural glazed
- Full 1/8" extrusion wall thickness
- Splayed mullions available for segmented radii
- Screw-spline construction
- Zero sightline vents available
- Clear Story™ exterior sun shades and interior light shelves available
- Complete selection of complementary storefront and entrances, including thermal doors

Allowable Air	Water	NFRC U-Factor	CRF _f	STC
0.06 cfm/sqft at 6.24 psf	15 psf	0.20 to 0.57 BTU/hr.sqft.°F	67 to 74	31 to 34

Test results may vary

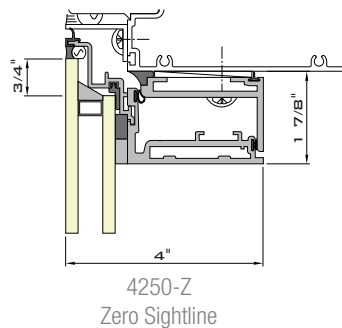
STANDARD CURTAINWALL WINDOW WALL AND INSERT VENTS

3250/4250-Z ZERO SIGHTLINE PROJECT-OUT CURTAINWALL INSERT VENTS STRUCTURAL GLAZED FOR LARGE SIZES

WAUSAU'S EXTRUDED ALUMINUM FRAMES
CONTAIN RECYCLED
CONTENT AVERAGING
70% OR GREATER.



- 3 1/2" or 4" frame depth
- Available for two- or four-side structural glazed curtainwall of varying face widths
- 3250-Z: AAMA AW-60 rated
- 4250-Z: AAMA AW-90 (awning) AW-100 (casement)
- Multi-point locking system for single handle operation
- Concealed stainless steel four-bar friction hinges
- Mitered frame construction, corner-blocked tubular vents
- Factory silicone glazed for "no sag" performance



"Invision," "SuperWall," and "ClearStory" are
trademarks of Apogee Wausau Group, Inc.
All rights reserved.
©2013 Apogee Wausau Group, Inc.

Allowable Air	Water	NFRC U-Factor	CRF _f	STC
0.06 cfm/sqft at 6.24 psf	15 psf	0.39 to 0.72 BTU/hr.sqft.°F	48 to 68	31 to 34

Test results may vary



WAUSAU
WINDOW AND WALL
SYSTEMS

7800 INTERNATIONAL DRIVE WAUSAU, WI 54401
TOLL FREE 1 877 678 2983 FAX 1 715 843 4350
E-MAIL INFO@WAUSAUWINDOW.COM